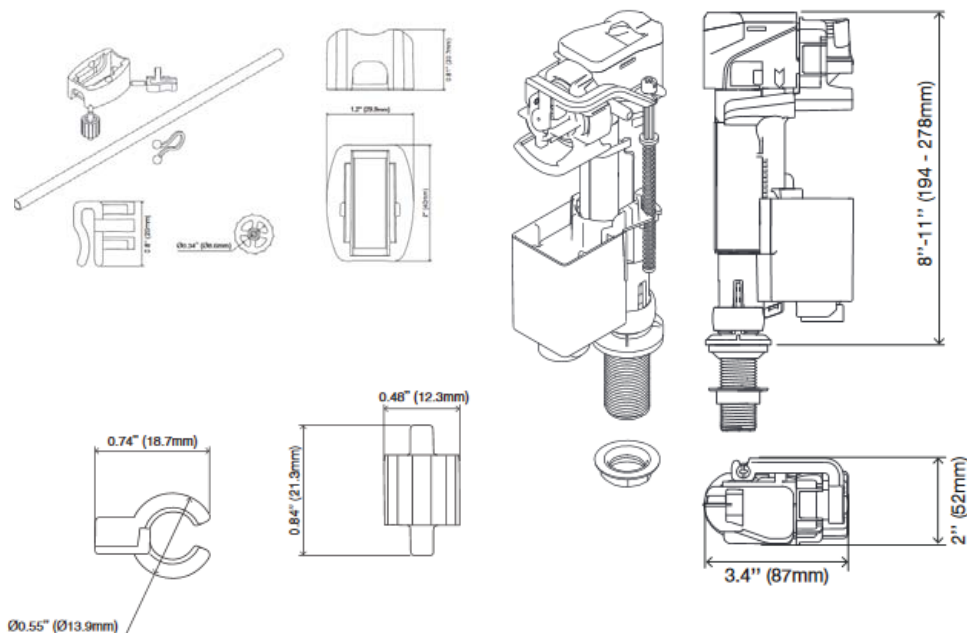


Technical Sheet

IVC 102 PLUS



Product Identification

883519

- IVC102 PLUS 15/16 Plastic connection

Definition and Application

- Bottom inlet valve

Technical Features

Milimeters measures

Inlet Valve

- Bottom connection
- Reduced dimensions
- Adjustable height in the bottom connection (min 194mm-8" – max 278mm- 11")
- Silent valve
- Quick filling
- Easy maintenance
- Counter pressure system
- Integrated filter can be cleaned
- Refil water volume 30% at 0.5bar, 1bar and 3.5bar

Hydraulic operating properties

- Dynamic Pressure: 0.5 – 6 bar
- Static pressure: 16 bar

Warranty

Ten (10) years warranty according to the general selling terms, starting from the purchase date of the product.

If the product is not correctly installed the warranty is not valid

Observations

There are available similar products. For more information please consult our Sanitary Installation Systems catalogue or our site www.oli-world.us